

This fixed-focus lens is designed for use with Panasonic's applicable projectors.
This lens is an ultra-short focal length lens which uses a mirror.

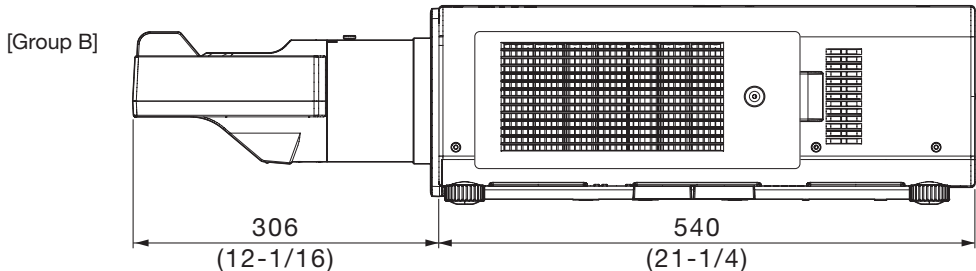
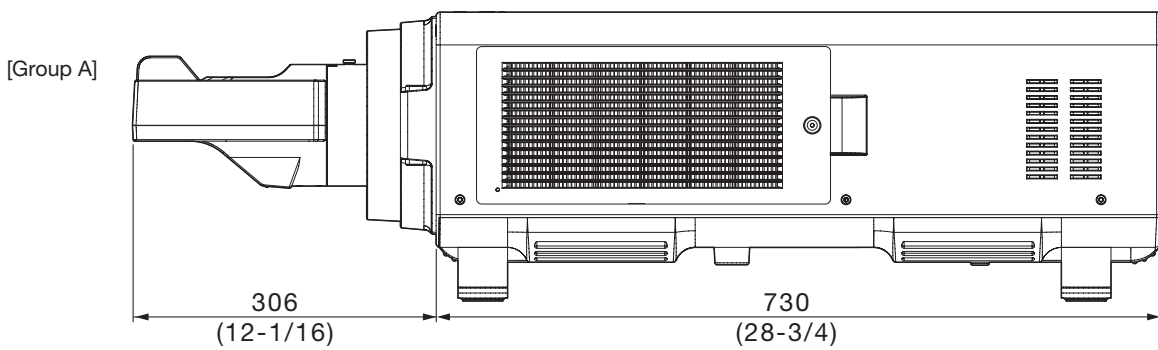
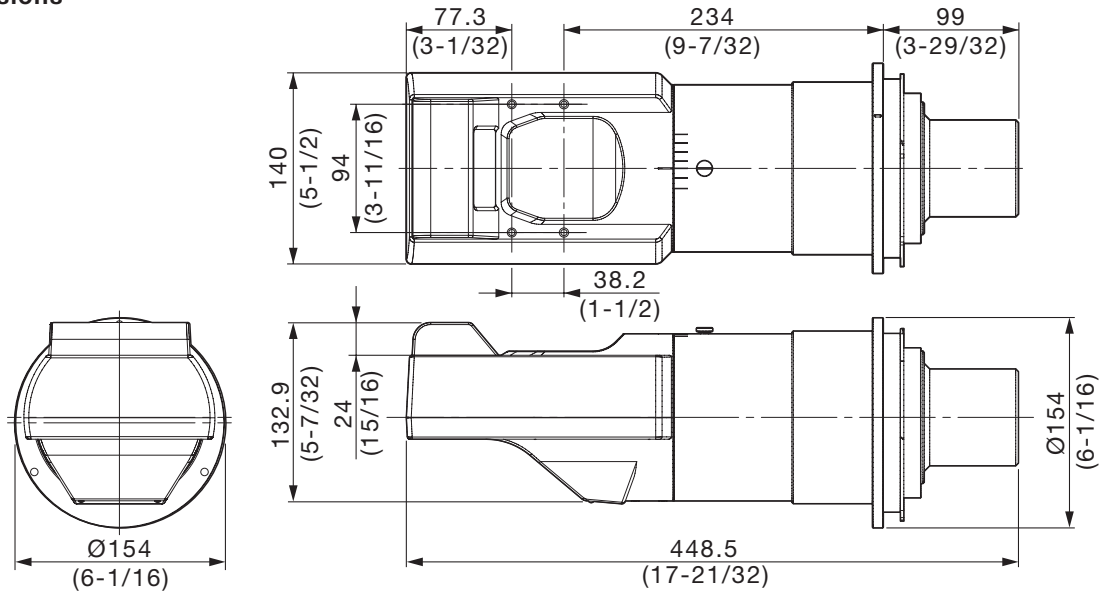
NOTE: The lens cannot be used by itself. It must be mounted onto the specified Panasonic DLP™ projector.

Specifications

F value:	2.5		
Focal length (f):	7.5 mm		
Lens shift:	Capable (Adjustment range is limited. Lens shift is possible with models other than the PT-DS20K/DS12K.)	Vertical shift	Horizontal shift
		PT-DZ21K/DZ13K/DZ10K up: 5% down: 0%	left: 6%; right: 6%
		PT-DZ16K up: 13% down: 0%	left: 12%; right: 14%
		PT-DW17K/DW11K up: 18% down: 0%	left: 13%; right: 27%

Dimensions (W × H × D):	448.5mm × ø154 mm (17-21/32 × ø6-1/16 inches)
Weight:	Approx 6.5 kg (14.3 lbs)
Applicable projector:	[Group A] PT-DZ21K/DS20K/DW17K/DZ16K
	[Group B] PT-DZ13K/DS12K/DW11K/DZ10K/DZ8700/DZ110K/DS8500/DS1100K/DW8300/DW90K

Dimensions



unit : mm (inch)
NOTE: This illustration is not drawn to scale.

DLP is a trademark of Texas Instruments. Weights and dimensions shown are approximate. Specifications subject to change without notice.

Fixed-Focus Lens

ET-D75LE90 Projection Distance Table

DZ21K/DZ13K/DZ10K

16 : 10 (WUXGA ; 1920 × 1200)

Unit : meters

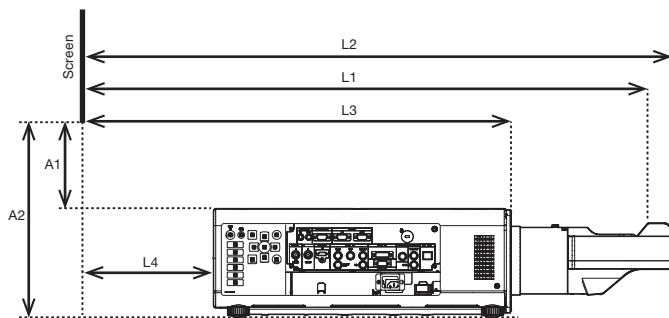
Ultra-short focal length lens ET-D75LE90
Close-up system dimensions

Diagonal image size (Inches)	Throw ratio			0.36:1			From rear of set to screen (L4)		From top of set to bottom edge of screen (A1)				From bottom of set to bottom edge of screen (A2)			
	Diagonal image size (m)	Height (SH)	Width (SW)	Projection distance (From mirror reflective surface to screen) (L1)	From tip of lens to screen (L2)	From front of set to screen (L3)	DZ21K	DZ13K/DZ10K	Min Max		Min Max		Min Max		Min Max	
									DZ21K	DZ13K/DZ10K	DZ21K	DZ13K/DZ10K	DZ21K	DZ13K/DZ10K	DZ21K	DZ13K/DZ10K
120	3.05	1.62	2.59	0.94	0.97	0.67	-0.06	0.13	0.26	0.34	0.27	0.36	0.55	0.63	0.47	0.56
150	3.81	2.02	3.23	1.18	1.20	0.90	0.17	0.36	0.35	0.46	0.36	0.47	0.64	0.75	0.56	0.67
200	5.08	2.69	4.31	1.56	1.59	1.28	0.55	0.74	0.50	0.65	0.52	0.66	0.79	0.94	0.72	0.86
250	6.35	3.37	5.39	1.95	1.97	1.67	0.94	1.13	0.66	0.84	0.67	0.85	0.95	1.13	0.87	1.05
300	7.62	4.04	6.46	2.33	2.36	2.05	1.32	1.51	0.81	1.03	0.83	1.04	1.10	1.32	1.03	1.24
350	8.89	4.71	7.54	2.72	2.74	2.44	1.71	1.90	0.97	1.22	0.98	1.23	1.26	1.51	1.18	1.43
400	10.16	5.39	8.62	3.10	3.13	2.82	2.09	2.28	1.12	1.41	1.13	1.42	1.41	1.70	1.33	1.62
500	12.70	6.73	10.77	3.87	3.90	3.59	2.86	3.05	1.43	1.79	1.44	1.81	1.72	2.08	1.64	2.01
600	15.24	8.08	12.92	4.64	4.67	4.36	3.63	3.82	1.74	2.17	1.75	2.19	2.03	2.46	1.95	2.39

Unit : feet

Ultra-short focal length lens ET-D75LE90
Close-up system dimensions

Diagonal image size (Inches)	Throw ratio			0.36:1			From rear of set to screen (L4)		From top of set to bottom edge of screen (A1)				From bottom of set to bottom edge of screen (A2)			
	Diagonal image size (m)	Height (SH)	Width (SW)	Projection distance (From mirror reflective surface to screen) (L1)	From tip of lens to screen (L2)	From front of set to screen (L3)	DZ21K	DZ13K/DZ10K	Min Max		Min Max		Min Max		Min Max	
									DZ21K	DZ13K/DZ10K	DZ21K	DZ13K/DZ10K	DZ21K	DZ13K/DZ10K	DZ21K	DZ13K/DZ10K
120	3.05	5.3	8.5	3.1	3.2	2.2	-0.2	0.4	0.9	1.1	0.9	1.2	1.8	2.1	1.5	1.8
150	3.81	6.6	10.6	3.9	4.0	2.9	0.6	1.2	1.1	1.5	1.2	1.5	2.1	2.5	1.8	2.2
200	5.08	8.8	14.1	5.1	5.2	4.2	1.8	2.4	1.6	2.1	1.7	2.2	2.6	3.1	2.4	2.8
250	6.35	11.0	17.7	6.4	6.5	5.5	3.1	3.7	2.2	2.8	2.2	2.8	3.1	3.7	2.9	3.5
300	7.62	13.3	21.2	7.6	7.7	6.7	4.3	5.0	2.7	3.4	2.7	3.4	3.6	4.3	3.4	4.1
350	8.89	15.5	24.7	8.9	9.0	8.0	5.6	6.2	3.2	4.0	3.2	4.0	4.1	5.0	3.9	4.7
400	10.16	17.7	28.3	10.2	10.3	9.3	6.9	7.5	3.7	4.6	3.7	4.7	4.6	5.6	4.4	5.3
500	12.70	22.1	35.3	12.7	12.8	11.8	9.4	10.0	4.7	5.9	4.7	5.9	5.6	6.8	5.4	6.6
600	15.24	26.5	42.4	15.2	15.3	14.3	11.9	12.5	5.7	7.1	5.7	7.2	6.7	8.1	6.4	7.8



- L1: Projection distance (from screen to mirror reflective surface)
- L2: From screen to tip of lens
- L3: From screen to front of set
- L4: From screen to rear of set
- A1: From bottom edge of screen to top of set
- A2: From bottom edge of screen to bottom of set

Projection Distance Calculation Table

Screen aspect ratio 16:10

Projection distance calculation formula

$$L1 \text{ (m)} = 0.0077 \times \text{Diagonal image size (inches)} + 0.02$$

Calculation formula for distance from top of set to bottom edge of screen

DZ21K	Min. A1 (m) = 0.000229 × SH - 0.114 Max. A1 (m) = 0.000283 × SH - 0.114
DZ13K/DZ10K	Min. A1 (m) = 0.000229 × SH - 0.100 Max. A1 (m) = 0.000283 × SH - 0.100

Fixed-Focus Lens

ET-D75LE90 Projection Distance Table

DZ16K

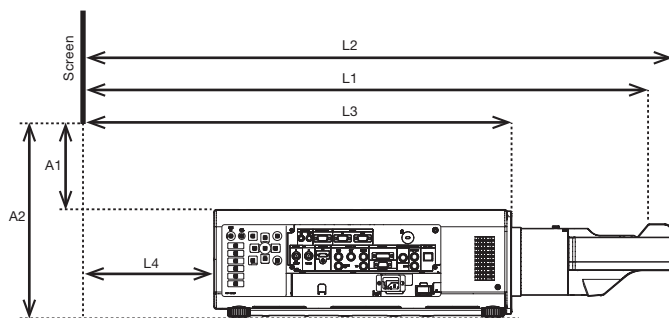
16 : 9 (WXGA ; 1920 × 1080)

Unit : meters

Throw ratio				Ultra-short focal length lens ET-D75LE90 Close-up system dimensions							
Diagonal image size (Inches)	Diagonal image size (m)	Height (SH)	Width (SW)	Projection distance (From mirror reflective surface to screen) (L1)	From tip of lens to screen (L2)	From front of set to screen (L3)	From rear of set to screen (L4)	From top of set to bottom edge of screen (A1)		From bottom of set to bottom edge of screen (A2)	
								Min	Max	Min	Max
120	3.05	1.49	2.66	0.97	1.00	0.69	-0.04	0.27	0.44	0.56	0.73
150	3.81	1.87	3.32	1.21	1.24	0.93	0.20	0.36	0.58	0.65	0.87
200	5.08	2.49	4.43	1.60	1.63	1.33	0.60	0.52	0.81	0.81	1.10
250	6.35	3.11	5.54	2.00	2.03	1.72	0.99	0.68	1.04	0.97	1.33
300	7.62	3.74	6.64	2.39	2.42	2.12	1.39	0.83	1.27	1.13	1.56
350	8.89	4.36	7.75	2.79	2.82	2.51	1.78	0.99	1.50	1.28	1.79
400	10.16	4.98	8.86	3.19	3.21	2.91	2.18	1.15	1.73	1.44	2.02
500	12.70	6.23	11.07	3.98	4.01	3.70	2.97	1.47	2.19	1.76	2.48
600	15.24	7.47	13.28	4.77	4.80	4.49	3.76	1.78	2.65	2.08	2.94

Unit : feet

Throw ratio				Ultra-short focal length lens ET-D75LE90 Close-up system dimensions							
Diagonal image size (Inches)	Diagonal image size (m)	Height (SH)	Width (SW)	Projection distance (From mirror reflective surface to screen) (L1)	From tip of lens to screen (L2)	From front of set to screen (L3)	From rear of set to screen (L4)	From top of set to bottom edge of screen (A1)		From bottom of set to bottom edge of screen (A2)	
								Min	Max	Min	Max
120	3.05	4.9	8.7	3.2	3.3	2.3	-0.1	0.9	1.4	1.8	2.4
150	3.81	6.1	10.9	4.0	4.1	3.1	0.7	1.2	1.9	2.1	2.8
200	5.08	8.2	14.5	5.3	5.4	4.3	2.0	1.7	2.6	2.7	3.6
250	6.35	10.2	18.2	6.6	6.7	5.6	3.3	2.2	3.4	3.2	4.4
300	7.62	12.3	21.8	7.9	7.9	6.9	4.6	2.7	4.2	3.7	5.1
350	8.89	14.3	25.4	9.2	9.2	8.2	5.8	3.3	4.9	4.2	5.9
400	10.16	16.3	29.1	10.5	10.5	9.5	7.1	3.8	5.7	4.7	6.6
500	12.70	20.4	36.3	13.0	13.1	12.1	9.7	4.8	7.2	5.8	8.1
600	15.24	24.5	43.6	15.6	15.7	14.7	12.3	5.9	8.7	6.8	9.7



- L1: Projection distance (from screen to mirror reflective surface)
- L2: From screen to tip of lens
- L3: From screen to front of set
- L4: From screen to rear of set
- A1: From bottom edge of screen to top of set
- A2: From bottom edge of screen to bottom of set

Projection Distance Calculation Table

Screen aspect ratio 16:9

Projection distance calculation formula

$$L1 (m) = 0.007914 \times \text{Diagonal image size (inches)} + 0.02$$

Calculation formula for distance from top of set to bottom edge of screen

DZ16K	Min. A1 (m) = 0.000254 × SH - 0.114 Max. A1 (m) = 0.00037 × SH - 0.114
-------	---

Fixed-Focus Lens

ET-D75LE90 Projection Distance Table

DW17K/DW11K

16 : 9 (WXGA ; 1366 × 768)

Unit : meters

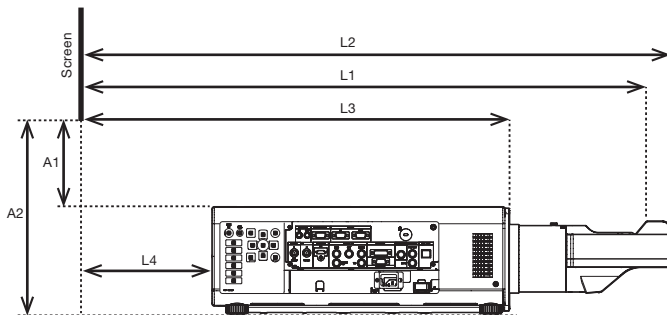
Ultra-short focal length lens ET-D75LE90
Close-up system dimensions

Throw ratio				0.40:1			From rear of set to screen (L4)		From top of set to bottom edge of screen (A1)				From bottom of set to bottom edge of screen (A2)			
Diagonal image size (Inches)	Diagonal image size (m)	Height (SH)	Width (SW)	Projection distance (From mirror reflective surface to screen) (L1)	From tip of lens to screen (L2)	From front of set to screen (L3)	DW17K	DW11K	Min	Max	Min	Max	Min	Max	Min	Max
120	3.05	1.49	2.66	1.07	1.10	0.80	0.07	0.26	0.31	0.58	0.32	0.60	0.60	0.87	0.52	0.80
150	3.81	1.87	3.32	1.34	1.37	1.06	0.33	0.52	0.41	0.76	0.43	0.77	0.70	1.05	0.63	0.97
200	5.08	2.49	4.43	1.78	1.81	1.50	0.77	0.96	0.59	1.05	0.60	1.06	0.88	1.34	0.80	1.26
250	6.35	3.11	5.54	2.22	2.24	1.94	1.21	1.40	0.76	1.34	0.78	1.35	1.06	1.63	0.98	1.55
300	7.62	3.74	6.64	2.66	2.68	2.38	1.65	1.84	0.94	1.63	0.95	1.64	1.23	1.92	1.15	1.84
350	8.89	4.36	7.75	3.09	3.12	2.82	2.09	2.28	1.12	1.92	1.13	1.93	1.41	2.21	1.33	2.13
400	10.16	4.98	8.86	3.53	3.56	3.26	2.53	2.72	1.29	2.21	1.31	2.22	1.58	2.50	1.51	2.42
500	12.70	6.23	11.07	4.41	4.44	4.13	3.40	3.59	1.64	2.79	1.66	2.80	1.93	3.08	1.86	3.00
600	15.24	7.47	13.28	5.29	5.32	5.01	4.28	4.47	1.99	3.37	2.01	3.38	2.28	3.66	2.21	3.58

Unit : feet

Ultra-short focal length lens ET-D75LE90
Close-up system dimensions

Throw ratio				0.40:1			From rear of set to screen (L4)		From top of set to bottom edge of screen (A1)				From bottom of set to bottom edge of screen (A2)			
Diagonal image size (Inches)	Diagonal image size (m)	Height (SH)	Width (SW)	Projection distance (From mirror reflective surface to screen) (L1)	From tip of lens to screen (L2)	From front of set to screen (L3)	DW17K	DW11K	Min	Max	Min	Max	Min	Max	Min	Max
120	3.05	4.9	8.7	3.5	3.6	2.6	0.2	0.8	1.0	1.9	1.1	2.0	2.0	2.9	1.7	2.6
150	3.81	6.1	10.9	4.4	4.5	3.5	1.1	1.7	1.4	2.5	1.4	2.5	2.3	3.4	2.1	3.2
200	5.08	8.2	14.5	5.8	5.9	4.9	2.5	3.1	1.9	3.4	2.0	3.5	2.9	4.4	2.6	4.1
250	6.35	10.2	18.2	7.3	7.4	6.4	4.0	4.6	2.5	4.4	2.6	4.4	3.5	5.3	3.2	5.1
300	7.62	12.3	21.8	8.7	8.8	7.8	5.4	6.0	3.1	5.3	3.1	5.4	4.0	6.3	3.8	6.0
350	8.89	14.3	25.4	10.2	10.2	9.2	6.8	7.5	3.7	6.3	3.7	6.3	4.6	7.2	4.4	7.0
400	10.16	16.3	29.1	11.6	11.7	10.7	8.3	8.9	4.2	7.2	4.3	7.3	5.2	8.2	4.9	7.9
500	12.70	20.4	36.3	14.5	14.6	13.6	11.2	11.8	5.4	9.1	5.4	9.2	6.3	10.1	6.1	9.8
600	15.24	24.5	43.6	17.4	17.4	16.4	14.0	14.7	6.5	11.0	6.6	11.1	7.5	12.0	7.2	11.8



- L1: Projection distance (from screen to mirror reflective surface)
- L2: From screen to tip of lens
- L3: From screen to front of set
- L4: From screen to rear of set
- A1: From bottom edge of screen to top of set
- A2: From bottom edge of screen to bottom of set

Projection Distance Calculation Table

Screen aspect ratio 16:9

Projection distance calculation formula

$$L1 \text{ (m)} = 0.008783 \times \text{Diagonal image size (inches)} + 0.02$$

Calculation formula for distance from top of set to bottom edge of screen

DW17K	Min. A1 (m) = 0.000282 x SH - 0.114 Max. A1 (m) = 0.000466 x SH - 0.114
DW11K	Min. A1 (m) = 0.000282 x SH - 0.100 Max. A1 (m) = 0.000466 x SH - 0.100

ET-D75LE90 Projection Distance Table

DS20K/DS12K

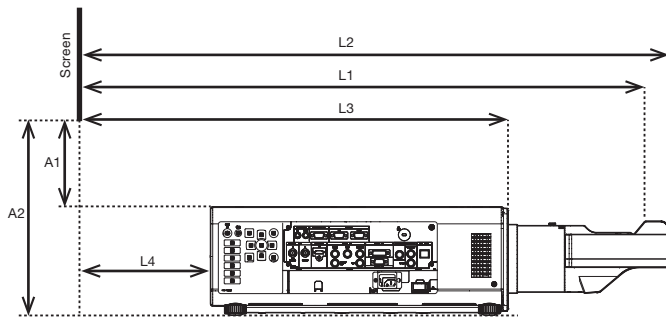
4 : 3 (SXGA ; 1400 × 1050)

Unit : meters

Ultra-short focal length lens ET-D75LE90 Close-up system dimensions												
Throw ratio				0.39:1			From rear of set to screen (L4)		From top of set to bottom edge of screen (A1)		From bottom of set to bottom edge of screen (A2)	
Diagonal image size (Inches)	Diagonal image size (m)	Height (SH)	Width (SW)	Projection distance (From mirror reflective surface to screen) (L1)	From tip of lens to screen (L2)	From front of set to screen (L3)	DS20K	DS12K	DS20K	DS12K	DS20K	DS12K
120	3.05	1.83	2.44	0.96	0.99	0.69	-0.04	0.15	0.26	0.28	0.55	0.48
150	3.81	2.29	3.05	1.20	1.23	0.92	0.19	0.38	0.36	0.37	0.65	0.57
200	5.08	3.05	4.06	1.59	1.62	1.32	0.59	0.78	0.51	0.53	0.81	0.73
250	6.35	3.81	5.08	1.99	2.02	1.71	0.98	1.17	0.67	0.69	0.96	0.89
300	7.62	4.57	6.10	2.38	2.41	2.10	1.37	1.56	0.83	0.84	1.12	1.04
350	8.89	5.33	7.11	2.77	2.80	2.50	1.77	1.96	0.99	1.00	1.28	1.20
400	10.16	6.10	8.13	3.17	3.20	2.89	2.16	2.35	1.14	1.16	1.43	1.36
500	12.70	7.62	10.16	3.95	3.98	3.68	2.95	3.14	1.46	1.47	1.75	1.67
600	15.24	9.14	12.19	4.74	4.77	4.46	3.73	3.92	1.77	1.78	2.06	1.98

Unit : feet

Ultra-short focal length lens ET-D75LE90 Close-up system dimensions												
Throw ratio				0.39:1			From rear of set to screen (L4)		From top of set to bottom edge of screen (A1)		From bottom of set to bottom edge of screen (A2)	
Diagonal image size (Inches)	Diagonal image size (m)	Height (SH)	Width (SW)	Projection distance (From mirror reflective surface to screen) (L1)	From tip of lens to screen (L2)	From front of set to screen (L3)	DS20K	DZ13K	DS20K	DS12K	DS20K	DS12K
120	3.05	6.0	8.0	3.2	3.3	2.3	-0.1	0.5	0.9	0.9	1.8	1.6
150	3.81	7.5	10.0	3.9	4.0	3.0	0.6	1.3	1.2	1.2	2.1	1.9
200	5.08	10.0	13.3	5.2	5.3	4.3	1.9	2.5	1.7	1.7	2.6	2.4
250	6.35	12.5	16.7	6.5	6.6	5.6	3.2	3.8	2.2	2.2	3.2	2.9
300	7.62	15.0	20.0	7.8	7.9	6.9	4.5	5.1	2.7	2.8	3.7	3.4
350	8.89	17.5	23.3	9.1	9.2	8.2	5.8	6.4	3.2	3.3	4.2	3.9
400	10.16	20.0	26.7	10.4	10.5	9.5	7.1	7.7	3.7	3.8	4.7	4.4
500	12.70	25.0	33.3	13.0	13.1	12.1	9.7	10.3	4.8	4.8	5.7	5.5
600	15.24	30.0	40.0	15.5	15.6	14.6	12.2	12.9	5.8	5.9	6.8	6.5



- L1: Projection distance (from screen to mirror reflective surface)
- L2: From screen to tip of lens
- L3: From screen to front of set
- L4: From screen to rear of set
- A1: From bottom edge of screen to top of set
- A2: From bottom edge of screen to bottom of set

Projection Distance Calculation Table

Screen aspect ratio 4:3

Projection distance calculation formula

$L1 (m) = 0.007865 \times \text{Diagonal image size (inches)} + 0.02$

Calculation formula for distance from top of set to bottom edge of screen

DS20K	$A1 (m) = 0.000206 \times SH - 0.114$
DS12K	$A1 (m) = 0.000206 \times SH - 0.100$